

# OMNIFinger™ Articulating Vclip® Ligating Clip Applier and OMNIFinger™ Articulating LigaV® Ligating Clip Applier Instructions for use

Ref. no.: 0301-07MEOMN, 0301-07MLEOMN, 0301-07MEOMNB, 0301-07MLEOMNB,  
0301-02MEOMN, 0301-02MLEOMN, 0301-02LEOMN, 0301-02MEOMNB, 0301-02MLEOMNB, 0301-02LEOMNB

 <p><b>Grena Ltd</b>, 1000 Great West Road, Brentford, Middlesex TW8 9HH, United Kingdom</p>	<p><b>Contact information:</b> Phone/Fax: + 44 115 9704 800</p>	<table border="1" style="margin: 0 auto; text-align: center;"> <tr> <td>EC</td> <td>REP</td> </tr> </table> <p><b>MDML International</b> Unit 7, Argus House Greenmount Office Park, Harold's Cross Road Dublin 6W DUBLIN Ireland D6W PP38</p>	EC	REP	<div style="font-size: 2em; font-weight: bold; text-align: center;">CE 0197</div> <div style="text-align: right; font-weight: bold; font-size: 1.2em;">ENG</div> <p style="text-align: right;">IFU-OMNT-ENG_06</p>
EC	REP				



**Important:**

The instructions provided herein are not intended to serve as a comprehensive manual for surgical techniques related to the use of the OMNIFinger Articulating Endoscopic Titanium Clips Applier. Acquiring proficiency in surgical techniques necessitates direct engagement with our company or an authorized distributor to access detailed technical instructions, consult professional medical literature, and complete requisite training under the mentorship of a surgeon skilled in minimally invasive procedures. Prior to utilization of the device, we strongly advise a thorough review of all information contained in this manual. Failure to adhere to these guidelines may result in severe surgical outcomes, including patient injury, contamination, infection, cross-infection, or death.

**Indications:**

Grena OMNIFinger™ Articulating Vclip® and OMNIFinger™ Articulating LigaV® Ligating Clip Appliers are indicated for use as delivery devices for Grena Vclip® and LigaV® titanium ligating clips respectively during laparoscopic and thoracoscopic surgical procedures. It is crucial to ensure the proper compatibility between the size of the occluded tissue and the selected clips to achieve optimal performance and safety. Patient target group - adult and adolescent patients, of all genders.

Intended users: product is intended to be used exclusively by qualified medical professionals.

**Contraindications:**

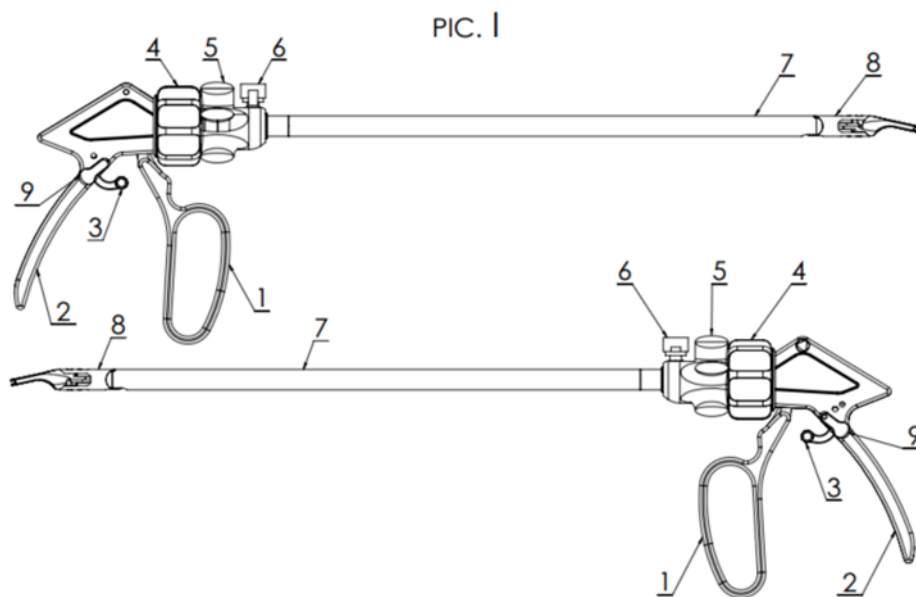
DO NOT use for tubal ligation as contraceptive method due to lack of sufficient data on efficacy and safety in these applications.  
DO NOT use on structures where use of metal clips is not appropriate.  
DO NOT use in case of just suspicion of allergy to titanium.

**Description of the device:**

OMNIFinger™ Articulating Vclip® and OMNIFinger™ Articulating LigaV® Ligating Clip Appliers are reusable surgical instruments. They are available as endoscopic surgery version only. Each type and size of a clip must be applied using corresponding and compatible clip applier. The 360° rotation of the shaft and articulation of the applier tip facilitates clip application in challenging or hard-to-reach areas. The appliers feature a non-detachable design and an integrated flushing channel to facilitate the removal of debris from the shaft, ensuring optimal hygiene and performance. The locking mechanism, consists of a lock trigger and lock switch. When activated, it secures the jaws in the open position. Devices without the locking mechanism can be identified by an "X" at the end of reference number. Bariatric versions are designated by letter "B" in the reference number. All OMNIFinger™ Articulating Endoscopic Titanium Clips Appliers are compatible with 10 mm trocar cannulas.

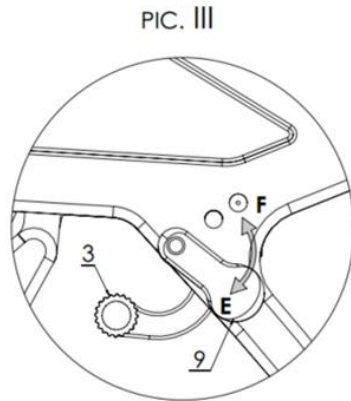
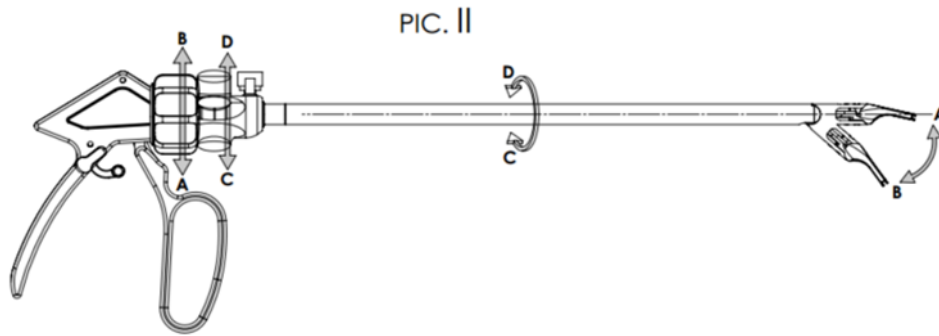
**Illustration of OMNIFinger™ Articulating Vclip® Ligating Clip Applier and OMNIFinger™ Articulating LigaV® Ligating Clip Applier (pic. I)**

- |                 |                      |                |
|-----------------|----------------------|----------------|
| 1. Trigger      | 4. Articulation knob | 7. Shaft       |
| 2. Handle       | 5. Rotation knob     | 8. Jaws        |
| 3. Lock trigger | 6. Flushing port     | 9. Lock switch |



**Instructions for use:**

1. Choose the appropriate size of the clip and the compatible applier.
2. Confirm compatibility of all devices prior to use.
3. Adhering to aseptic procedures, remove the clips cartridge from its sterile packing. To prevent any damage of the device place it on a sterile surface.
4. Before use, ensure the applier functions properly by performing the following checks:
  - Rotate the rotation knob (5) 360° in both directions (pic. II, C and D) to confirm that the shaft (7) rotates smoothly without excessive resistance.
  - Rotate articulation knob clockwise and counterclockwise to verify that the applier tip articulates as intended (pic II, A and B).
  - Check the lock mechanism - move the lock switch (9) down to position E (pic. III) to activate the lock. Confirm that, in this position, the handle trigger (1) cannot be squeezed towards the handle (2) unless the lock trigger (3) is pressed down.
  - Move the lock switch (9) up to position F (pic. III) to deactivate the lock. Verify that, in this position, the handle trigger (1) can be easily squeezed towards the handle and that the jaws (8) open and close as expected without the need to press the lock trigger (3).
  - Inspect jaws alignment.
  - Do not use the applier if any of the above tests fails.



5. By rotating articulation knob (4) arrange applier tip in a straight position like on the picture I.
6. Grip the applier around the shaft (7). Holding the applier by the handle while loading the clip may inadvertently cause the jaws to partially close, leading to the clip falling out of the applier.
7. Align applier jaws (8) vertically and laterally over a clip in the cartridge and advance product jaws into the slot of the clip cartridge ensuring they are perpendicular to the surface of the cartridge. Incorrect position of the jaws during loading may lead to incorrect seating of the clip in the jaws, which may result in the inability to securely close the clip, its deformation or falling out of the applier. Advance the jaws gently till they are stopped. Do not use force to push the applier. The applier should move inside and outside of the slot easily.  
**Warning: Never attempt to load the clip unless the tip of the applier is in a straight position. Failure to do so may result in permanent damage to the device, which is not covered under warranty. Clips must only be loaded when the tip is in the straight position.**
8. Remove the applier from the cartridge. The clip should fit securely in the jaws.
9. Ensure that the clip is fully inserted into the applier jaws and that its legs do not extend beyond the jaw ends. If the clip does not fit properly or if the legs protrude, this may indicate an incorrect loading procedure or potential damage to the applier. Such issues could lead to improper clip closure, scissoring, or the clip falling out of the applier.
10. Handle the applier with care to prevent premature jaw closure. Even slight premature closing of the jaws may cause the clip to fall out of the applier. When engaged, the lock trigger helps prevent accidental jaw preclosure. Insert the applier jaws (8) and shaft (7) down the cannula.
11. If needed, use the articulating knob (4) to adjust the applier tip to the desired angle, ensuring optimal access to the ligated structure.
12. Position the clip around the structure intended for ligation or marking. If the lock is activated press down the lock trigger (3) or deactivate it by lifting the lock switch (9) up. Apply appropriate force to fully close the clip using a smooth, firm, and continuous motion, ensuring proper placement. Releasing pressure on the handles (1 and 2) will allow the applier jaws to spring open.
13. Rotate the articulation knob (4) to return the applier tip to a straight position, as shown in Picture I. The applier cannot be removed from the trocar while in an articulated position.
14. Carefully remove the applier from the surgical site.

**Compatibility:**

Vclip®/LigaV® clip size	Compatible OMNIFinger™ Articulating Vclip® Ligating Clip Applier	Compatible OMNIFinger™ Articulating LigaV® Ligating Clip Applier	Ligated structure size in mm
M	0301-07MEOMN, 0301-07MEOMNB	0301-02MEOMN, 0301-02MEOMNB	1 to 2,5
ML	0301-07MLEOMN, 0301-07MLEOMNB	0301-02MLEOMN, 0301-02MLEOMNB	2,5 to 4
L		0301-02LEOMN, 0301-02LEOMNB	3,5 to 7,5



**Warnings and precautions measures:**

1. Carefully inspect instrument for any signs of damage after and before each use. Do not use damaged appliers, as this may result in clip misalignment or dislocation. Always inspect the applier jaws before use to ensure proper alignment. Misaligned jaws can cause clip deformation or scissoring, potentially leading to vessel injury, including unintended vessel cutting.
2. Any surgical and minimally invasive procedures should be performed only by persons having adequate training and familiarity with the techniques. Consult medical literature relative to techniques, complications, and hazards prior to performance of any surgical procedure.
3. Surgical instruments may vary from manufacturer to manufacturer. When surgical instruments and accessories from different manufacturers are employed together in a procedure, verify compatibility prior to initiation of the procedure. Failure to do so can result in an extended procedure time, inability to perform surgery or necessity to convert to an open surgery.
4. Vclip® and LigaV® appliers are only compatible with Vclip® and LigaV® clips respectively and are not compatible with Click'aV® clips. Always ensure that correct Grena's applier type was chosen prior to initiation of the procedure. Failure to do so can result in inability to perform surgery.
5. Surgeon is fully responsible for selecting proper surgical technique, type and size of the tissue or vessels appropriate for ligation, size of the clip and corresponding applier, as well as determining the number of clips needed to achieve satisfactory haemostasis and closure security.
6. **Never attempt to adjust the angle of the device tip by applying direct force to it. Ensure that no bending or straightening forces are applied to the tip during storage, transportation, or reprocessing, as this may cause permanent damage to the applier, which is not covered under warranty. The articulation knob is the only safe and acceptable method for adjusting the tip angle.**
7. Do not use the clip loaded into the jaws or applier alone as a dissecting instrument as clip may drop off and applier's tips may cause tissue injury.
8. Always confirm that the clip remains securely in the applier jaws after passing the applier and clip through the cannula.
9. Do not attempt to close the jaws on any tissue structure without a clip properly loaded into the jaws. Closure of empty jaws on a vessel or anatomic structure may result in patient injury.
10. Do not squeeze the applier over other surgical instruments, staples, clips, gallstones or other hard structures as it may lead to bleeding and/or cause the clip to be ineffective.
11. After each clip is placed it is required to close the applier fully. A partial squeeze may result in clip dislocation leading to improper ligation.
12. The clip must be securely closed to ensure proper ligation of the vessel or tissue. Inspect the ligation site after application to ensure each clip was placed and closed well on ligated structure. This should be repeated after the use of other surgical devices in the immediate area of the application so as not to miss accidental displacement of the clip.
13. When working with the Vclip® or LigaV® applier, carefully follow the instructions for use of Vclip® and LigaV® ligating clips respectively.
14. If it is necessary to dispose of the product, it must be done in accordance with all applicable local regulations including, without limitation, those pertaining to human health and safety and the environment.
15. Exercise caution when there is a potential for exposure to blood or bodily fluids. Adhere to hospital protocols regarding the use of protective wear and equipment.

**Ligating Clips Appliers warranty**

All Grena's® Ligating Clips Appliers are covered by one year warranty. Grena will repair free of charge any applier, provided it is used for normal surgical purposes with Grena ligating clips for which it was designed, and has not been repaired by unauthorized personnel. If an applier malfunction occurs which is caused by the use of a non-Grena clips, the warranty does not apply.



**Reprocessing instructions:**

The following sections outline the steps required for the reprocessing of Grena's OMNIFinger™ Vclip® and LigaV® Titanium Ligating Clips Appliers. This includes pre-treatment at the point of use, manual cleaning and disinfection, machine processing as well as steam sterilization in the fractionated vacuum process.

<b>WARNINGS</b>	<p><b>ATTENTION:</b> Flushing channel is long and narrow. It requires special attention during cleaning to remove all the soil from it. Do not use solidifying detergents as they can clog flushing channel lumen.</p> <p><b>ATTENTION:</b> The user/processor should comply with local laws and ordinances in countries where reprocessing requirements are more stringent than those detailed in this manual. Furthermore, the hospital hygiene regulations must be observed as well as the recommendation of the relevant professional associations.</p> <p><b>ATTENTION:</b> Used devices must be thoroughly processed according to these instructions prior to use.</p> <p><b>ATTENTION:</b> <b>Universal Precautions should be observed</b> by all hospital personnel that work with contaminated or potentially contaminated medical devices. To avoid injury caution should be exercised when handling devices with sharp points or cutting edges.</p> <p><b>ATTENTION:</b> During all reprocessing steps <b>Personal Protective Equipment (PPE) should be worn</b> when handling or working with contaminated or potentially contaminated materials, devices and equipment to prevent cross-contamination. PPE includes gowns, masks, goggles or face shields, gloves and shoe covers. Observe the usual regulations for handling contaminated objects and the following precautionary measures: - Use protective gloves when touching; - Isolate the contaminated material using suitable packaging and labeling.</p> <p><b>ATTENTION:</b> <b>Do not place heavy instruments on top of delicate devices. Metal brushes or scouring pads must not be used</b> during manual cleaning procedures. These materials will damage the surface and finish of the instruments. Soft bristled, nylon brushes and pipe cleaners should be used.</p> <p><b>ATTENTION:</b> <b>Do not allow contaminated devices to dry prior to reprocessing.</b> All subsequent cleaning and sterilization steps are facilitated by not allowing blood, body fluid, bone and tissue debris, saline, or disinfectants to dry on used devices. Used devices <b>must be</b> transported to the central supply in closed or covered containers to prevent unnecessary contamination risk.</p> <p><b>ATTENTION:</b> After the treatment is over, all parts that come into contact with the patient must be cleaned and disinfected.</p> <p><b>ATTENTION:</b> Only use cleaning agents / disinfectants approved for the reprocessing of medical devices. Observe the manufacturer's instructions for the cleaning / disinfecting agents. If unsuitable cleaning or disinfecting solutions are used, or if unsuitable cleaning or disinfection procedures are applied, this can have negative consequences for the devices: - Damage or corrosion; - Discoloration of the product; - Corrosion of metal parts; - Reduced service life; - Expiration of the guarantee.</p> <p><b>ATTENTION:</b> Grena Ltd. recommends using only EN ISO 15883-1 and -2 compliant washer-disinfectors for automated cleaning / disinfection. It is recommended that mechanical reprocessing should, if possible, be given preference over manual reprocessing methods.</p>
<b>Limitations on reprocessing:</b>	<p>Instruments are delivered non-sterile and must be cleaned and sterilized before each use. <b>The initial cleaning</b> should be performed using an ultrasonic cleaner to remove any preservative from the device. The recommended parameters are 3 min, 40 °C, 35 kHz. Extensive use or repeated reprocessing can have significant impact on the instruments. Product lifetime is determined by prints of wear and damages due to usage. Do not use damaged or corroded instruments. <b>Use of hard water should be avoided.</b> Softened tap water may be used for initial rinsing. Purified water should be used for final rinsing to eliminate limescale deposits on the devices. One or more of the following processes may be used to purify water; ultra-filter (UF), reverse-osmosis (RO), deionized (DI), or equivalent.</p>
<b>INSTRUCTIONS</b>	
<b>Point of use:</b>	<p>A pre-cleaning of the devices should be carried out immediately after treatment, taking personal protection into account. The aim is to prevent organic material and chemical residues from drying on in the lumen or on the outer parts of the instruments and to prevent contamination of the surrounding area.</p> <ol style="list-style-type: none"> <li>1. Remove excess soil, body fluids and tissue with disposable cloth/paper wipe.</li> <li>2. Submerge instrument in the water (temperature below 40°C) immediately after use.</li> <li>3. Do not use solidifying detergents or water with temperature exceeding 40°C because they can lead to sticking of the soil and influence further steps of reprocessing.</li> </ol>
<b>Containment and Transportation:</b>	<p>It is recommended that devices are reprocessed as soon as it is reasonably practical following use. To avoid any damage devices should be safely stored and transported to the place of further reprocessing in the closed container (e.g. tub with lid) to avoid contamination of the surrounding area. Maximum time between pre-cleaning the instrument and further steps of cleaning must not exceed 1 hour. Transport instruments to the processing room and place it in the basin with cleaning solution.</p>
<b>Preparation for cleaning</b>	<p>The device should NOT be disassembled for cleaning or sterilization. All cleaning agents should be prepared at the use-dilution and temperature recommended by the manufacturer. Softened tap water may be used to prepare cleaning agents. Use of the recommended temperatures is important for optimal performance of cleaning agents. <b>NOTE: Fresh cleaning solutions should be prepared when existing solutions become grossly contaminated (bloody and/or turbid).</b></p>
<b>Cleaning/ Disinfection: Manual</b>	<p>Equipment: pH neutral or alkaline proteolytic enzymatic detergent, Steris 1B33B3 soft bristle brush or similar, cleaning pressure pistol or high volume syringe, ultrasonic water bath.</p> <p><b>Validated pre-cleaning procedure:</b></p> <ol style="list-style-type: none"> <li>1. Soak the device in a washing/disinfecting solution for 5 minutes. (4% Sekusept Activ, 30-35°C was used for validation)</li> <li>2. Using soft bristle brush and keeping the device inside the soaking solution apply washing/disinfecting solution to all surfaces ensuring that jaws are cleaned in both opened and closed positions. Make sure that all visible contamination has been removed. Flush the inside of the shaft with the solution.</li> <li>3. Rinse instrument with tap water (&lt;40 °C), while actuating device until there is no sign of blood or soil on the device or in the rinse stream, but at least for 3 minutes.</li> <li>4. Use a high-volume syringe (or cleaning pressure pistol) to aggressively flush the inside of the shaft with tap water (&lt;40 °C) through the flushing port at the proximal end of the shaft until no visible soil leaves the shaft, but at least for 1 minute.</li> </ol> <p><b>Validated manual cleaning procedure:</b></p> <ol style="list-style-type: none"> <li>1. Place device in ultrasonic water bath filled with a washing/disinfecting solution and sonicate for 3 min, 40±1°C, 35 kHz (2% Sekusept Activ was used for validation).</li> <li>2. Remove instrument from ultrasonic water bath.</li> <li>3. Using soft bristle brush scrub the instrument under running tap water below 40°C for minimum of 1 minute or until all visible residue is removed.</li> <li>4. Use cleaning pressure pistol or high volume syringe to aggressively flush inside of the shaft with tap water (below 40°C) until no visible soil leaves the shaft, but for minimum of 1 minute.</li> <li>5. Rinse device under clean running water, including flushing channel, while actuating device. UF, RO or DI water should be used for this step.</li> <li>6. Remove excess moisture from the device with a clean, absorbent and non-shedding wipe.</li> <li>7. Dry the device with compressed medical air including flushing channel.</li> </ol> <p><b>NOTE:</b> One should remember that any cleaning and disinfection process should be validated. Check visually for cleanliness to ensure that all debris have been removed. If not visually clean, repeat the reprocessing steps until the device is visually clean.</p> <p><b>NOTE:</b> It is recommended that used cleaning brushes must be cleaned after each use (if possible in an ultrasonic water bath) and then disinfected. After cleaning, disinfection and sterilization they must be stored dry and protected from contamination.</p>
<b>Cleaning/ Disinfection: Automated</b>	<p>Equipment - Washer / disinfectant, pH neutral or alkaline proteolytic enzymatic detergent, Steris 1B33B3 soft bristle brush or similar, cleaning pressure pistol or high volume syringe, ultrasonic water bath. Endoscopic instruments have channels, crevices and fine joints. Dried soiling is very difficult to remove from such areas by automated cleaning. In order to achieve effective cleaning, it is necessary to remove massive impurities before automated reprocessing, therefore Grena Ltd. recommends manual pre-cleaning. In particular, make sure to pre-clean the shaft before cleaning in the washer / disinfectant.</p> <p><b>Validated pre-cleaning procedure:</b></p> <ol style="list-style-type: none"> <li>1. Soak the device in a washing/disinfecting solution for 5 minutes. (4% Sekusept Activ, 30-35°C was used for validation)</li> <li>2. Using soft bristle brush and keeping the device inside the soaking solution apply washing/disinfecting solution to all surfaces ensuring that jaws are cleaned in both opened and closed positions. Make sure that all visible contamination has been removed. Flush the inside of the shaft with the solution.</li> <li>3. Rinse instrument with tap water (&lt;40 °C), while actuating device until there is no sign of blood or soil on the device or in the rinse stream, but at least for 3 minutes.</li> <li>4. Use a high-volume syringe (or cleaning pressure pistol) to aggressively flush the inside of the shaft with tap water (&lt;40 °C) through the flushing port at the proximal end of the shaft until no visible soil leaves the shaft, but at least for 1 minute.</li> </ol> <p><b>Validated automatic cleaning procedure:</b> Grena Ltd. recommends the use of an EN ISO 15883-1 and -2 compliant cleaning / disinfection device in combination with a suitable load carrier. Follow the instructions for use of the manufacturer of the washer / disinfectant. Load instruments into the washer / disinfectant according to the manufacturer instructions. Connect flushing channels (if equipped) of the instruments to the washer / disinfectant so that it is rinsed through. The following process parameters are suitable for reprocessing the instruments:</p> <ol style="list-style-type: none"> <li>1. Cold pre-wash, water &lt;40°C, 1 min.</li> <li>2. Washing, hot water, 10 minutes, detergent concentration and temperature as per manufacturer's recommendation (process validated with 0,7% Thermosept® RKF, 55 °C).</li> <li>3. Neutralization, neutralizing agent concentration and time as per manufacturer's recommendation (process validated with 0,15% Thermosept® NKZ, &gt;30°C, 2 min).</li> <li>4. Rinse, cold water below 40°C, 1 min.</li> <li>5. Thermal disinfection &gt;2,5 min, &gt; 93°C with UF, RO or DI water, concentration of additive as per manufacturer's recommendation (process validated without any additive).</li> <li>6. Drying 110°C, 6 min.</li> </ol> <p><b>NOTE:</b> One should remember that any cleaning and disinfection process should be validated. <b>NOTE:</b> The validated parameters correspond to a process with an A0 value of &gt; 3000s. Grena Ltd. Recommends to use only processes with an A0 value of &gt; 3000s.</p>

	<b>NOTE: Never leave instruments wet after reprocessing. This can lead to corrosion and microbial growth. If the devices are not completely dry after machine processing has been completed, dry the instrument manually (see drying section) and stored as directed.</b>										
<b>Drying:</b>	Dry any remaining moisture with a clean, absorbent, non-shedding cloth. Use compressed medical air or a high volume syringe to blow flushing channel and jaws hinge until no more moisture escapes.										
<b>Maintenance:</b>	Hinges and other moving parts should be lubricated with a water soluble product intended for surgical instruments that must be sterilized. Manufacturer's expiration dates should be adhered to for both stock and use-dilution concentrations of the cleaning / disinfecting agents.										
<b>Inspection and function testing:</b>	Inspect the device for functionality – in case of any technical impairment instrument must be rejected. Check the action of moving parts (e.g. jaws, hinges, connectors, knobs etc.) to ensure smooth operation throughout the intended range of motion. Check jaws for excessive play. Visually inspect for damage and wear. Pay attention to proper jaws alignment. Check the shaft for distortion. Carefully inspect each device to ensure that all visible contamination has been removed. If contamination is noted, repeat the cleaning / disinfection process. Discard damaged instruments.										
<b>Packaging:</b>	<b>Singly:</b> A standard commercially available, medical grade steam sterilization pouches or wrap may be used. Ensure that the pack is large enough to contain the applier without stressing the seals. Do not use packaging that is too large, to prevent the instruments from sliding around in the packaging. <b>In sets:</b> Appliers may be loaded into general-purpose sterilization trays. Trays and cases with lids may be wrapped in standard medical grade, steam sterilization wrap. Ensure that jaws are protected. The total weight of a wrapped instrument tray or case should not exceed 11.4 kg/25 lbs for the safety of the personnel handling instrument sets; instrument cases exceeding 11.4 kg/25 lbs should be split into separate trays for sterilization. All devices must be arranged to ensure steam penetration to all instrument surfaces. Instruments should not be stacked or placed in close contact. The user must ensure that the instrument case is not tipped or the contents shifted once the devices are arranged in the case. Silicone mats may be used to keep devices in place. Devices for validation of sterilization process were packed in pouches compliant with EN ISO 11607-1.										
<b>Sterilization:</b>	Equipment: Grena Ltd. recommends the use of a sterilizer in accordance with EN ISO 17665 or EN 285. The sterilization must be carried out in packaging suitable for the sterilization process. The packaging should comply with EN ISO 11607 (e.g. paper / laminate film). Moist heat/steam sterilization is the preferred and recommended method for Grena devices. The hospital is responsible for in-house procedures for the inspection, and packaging of the instruments after they are thoroughly cleaned in a manner that will ensure steam penetration and adequate drying. Provisions for protection of any sharp or potentially dangerous areas of the instruments should also be recommended by the hospital. Sterilizer Manufacturer's Instructions for operations and load configuration should be followed explicitly. When sterilizing multiple instrument sets in one sterilization cycle, ensure that the manufacturer's maximum load is not exceeded. Instrument sets should be properly prepared and packaged in trays and/or cases that will allow steam to penetrate and make direct contact with all surfaces. <b>CAUTION:</b> Plasma gas sterilization should not be used. <b>ATTENTION:</b> Never sterilize uncleaned instruments! The success of a sterilization depends on the previous cleaning status! Minimum validated steam sterilization parameters required to achieve a 10 <sup>-6</sup> sterility assurance level (SAL) are as follows: <table border="1"> <thead> <tr> <th>Cycle type</th> <th>Temperature [°C]</th> <th>Exposure time [min]</th> <th>Pressure [bar]</th> <th>Drying time [min]</th> </tr> </thead> <tbody> <tr> <td>Fractional prevacuum 10 kPa</td> <td>134</td> <td>3</td> <td>&gt;3</td> <td>15</td> </tr> </tbody> </table> <b>NOTE:</b> One should remember that any sterilization process should be validated prior to use. The validation of the suitability of the above parameters for the fractional vacuum process was carried out by Grena in accordance with the requirements of EN ISO 17665-1. The user is responsible for validating the correct functioning of the sterilizer.	Cycle type	Temperature [°C]	Exposure time [min]	Pressure [bar]	Drying time [min]	Fractional prevacuum 10 kPa	134	3	>3	15
Cycle type	Temperature [°C]	Exposure time [min]	Pressure [bar]	Drying time [min]							
Fractional prevacuum 10 kPa	134	3	>3	15							
<b>Storage:</b>	Sterile, packaged instruments should be stored in a designated, limited access area that is well ventilated and provides protection from dust, insects, vermin, and temperature/humidity extremes.										
<b>Additional information:</b>	The instructions provided above have been recommended by the medical device manufacturer as being CAPABLE of preparing a medical device for re-use. It remains the responsibility of the processor to ensure that the processing as actually performed using equipment, materials and personnel in the processing facility achieve the desired result. This requires validation and routine monitoring of the process. Likewise any deviation by the processor from the recommendations provided should be properly evaluated for effectiveness and potential adverse consequences. Users must then establish an appropriate cleaning protocol for the reusable medical devices used at their sites, using the recommendations of the device manufacturer and cleaner manufacturer. Because of the many variables involved in sterilization / decontamination, each Medical Facility should calibrate and verify the sterilization / decontamination process (e.g., temperatures, times) used with their equipment. It is the responsibility of the Medical Facility to ensure that reprocessing is performed using the appropriate equipment and materials, and that personnel in the reprocessing facility have been adequately trained in order to achieve the desired result.										
<b>A notice to the user and/or patient:</b>	If any serious incident has occurred in relation to the device it should be reported to the manufacturer and the competent authority of the Member State in which the user and/or patient is established.										
<b>Manufacturer contact:</b>	See the headline of instructions for use.										



Caution



Keep dry



Consult electronic instructions for use



Manufacturer



Authorized representative in the European Community



Catalogue number



Batch code



Quantity in package



Medical device

The hard copies of instructions for use delivered with Grena products are always in English language.  
If you require a hard copy of IFU in other language, you can contact Grena Ltd.  
at [ifu@grena.co.uk](mailto:ifu@grena.co.uk) or + 44 115 9704 800.

Please scan the below QR code with the appropriate application.  
It will connect you with Grena Ltd. website where you can choose eIFU in your preferable language.

You can enter the website directly by typing in [www.grena.co.uk/IFU](http://www.grena.co.uk/IFU) in your browser.

Make sure that paper version of IFU in your possession is in the latest revision prior to use of the device.  
Always use the IFU in the latest revision.



